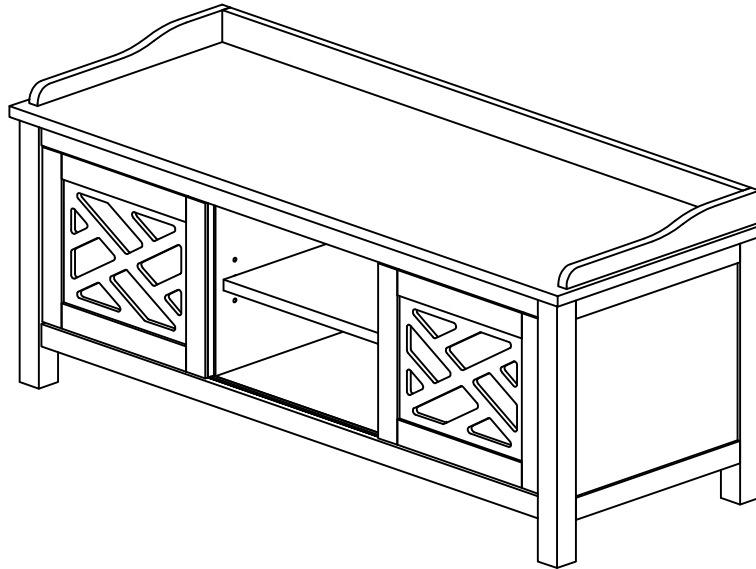


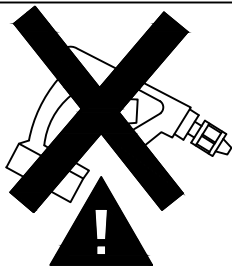
ASSEMBLY INSTRUCTION

STORAGE BENCH

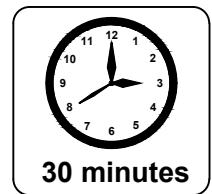
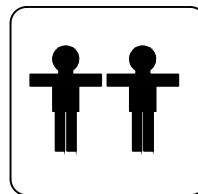


REPLACEMENT PARTS

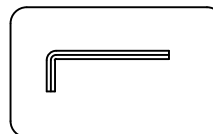
Please do not contact the company purchased from as we can help you faster.
Order replacement parts and hardware at " www.boltonfurniture.com "



- . Use of power tool to assemble this product will invalidate any claim and damage this product making it unsafe !!!
- . Please assemble on a clean soft surface to avoid damage.

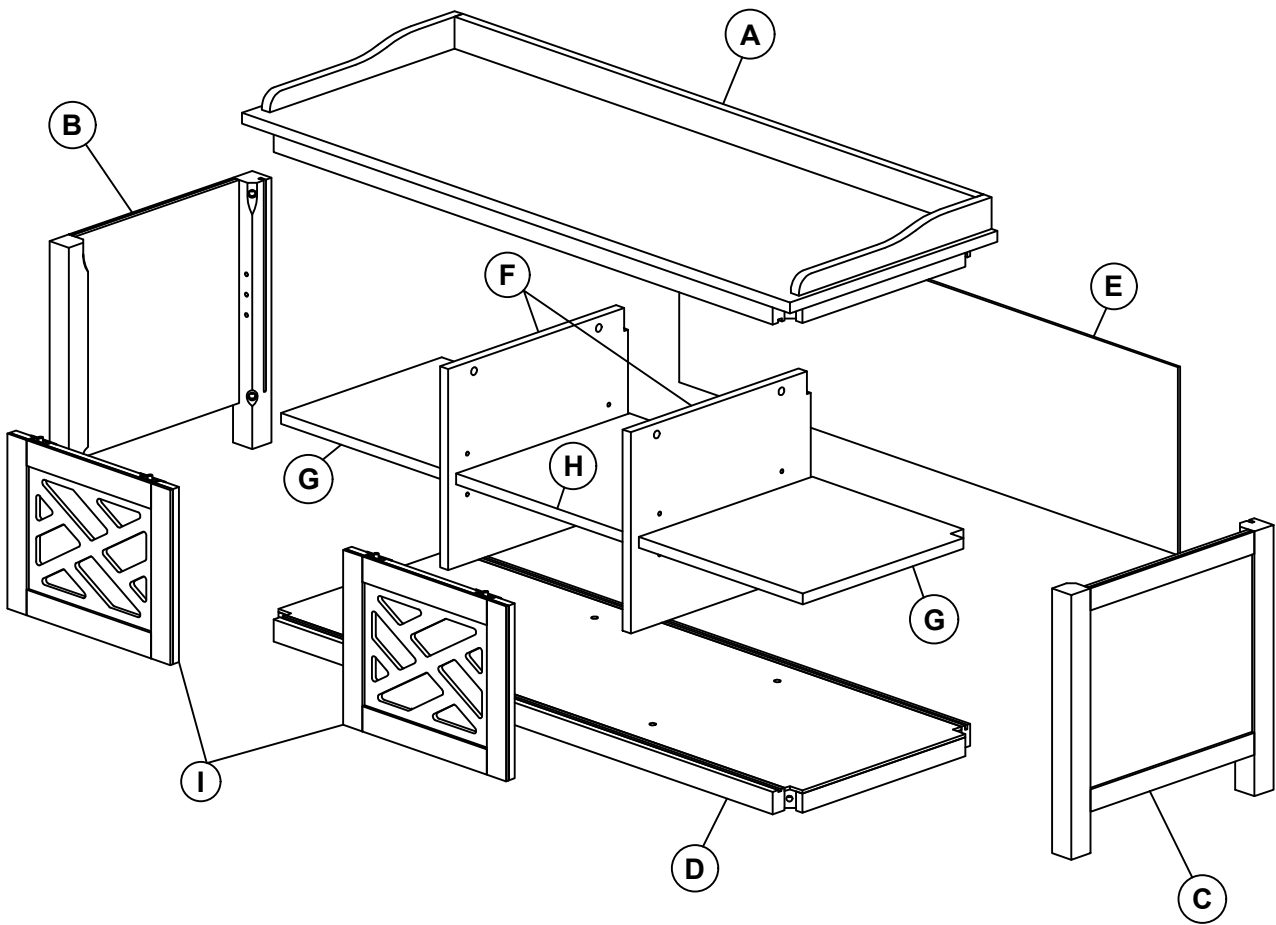


Tools Required





www.boltonfurniture.com

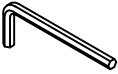
Part list - Storage bench




Identifying the hardware-Identify the hardware using the illustrations below

J  **12**
M6x45MM BOLT


K  **04**
M6x35MM BOLT

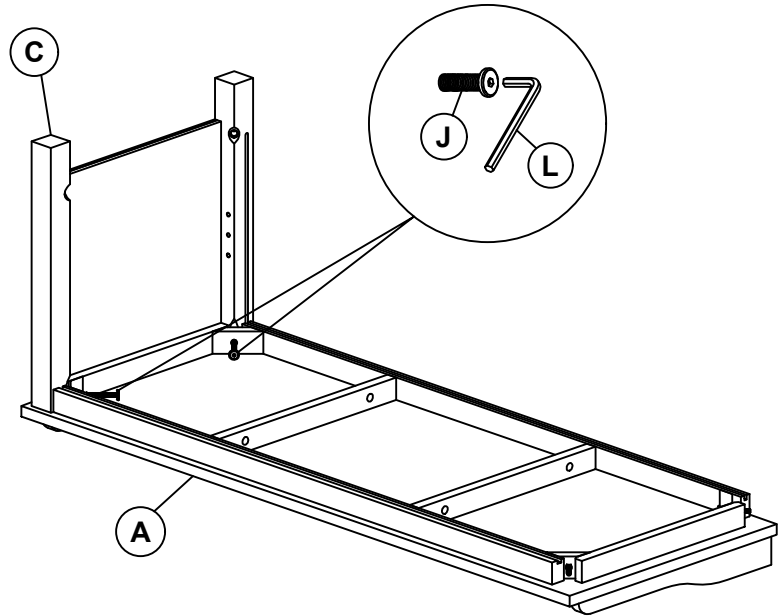
L  **01**

M  **12**

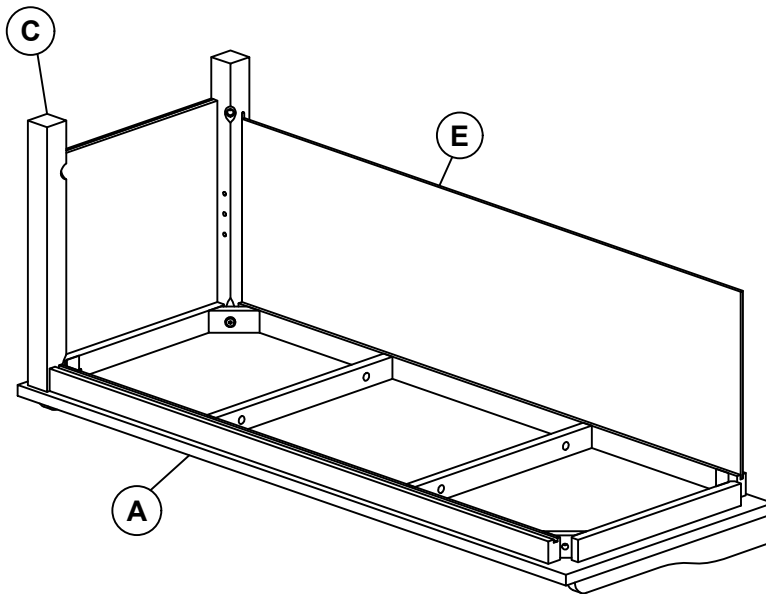
Step 01

J  02
M6x45MM BOLT

L  01



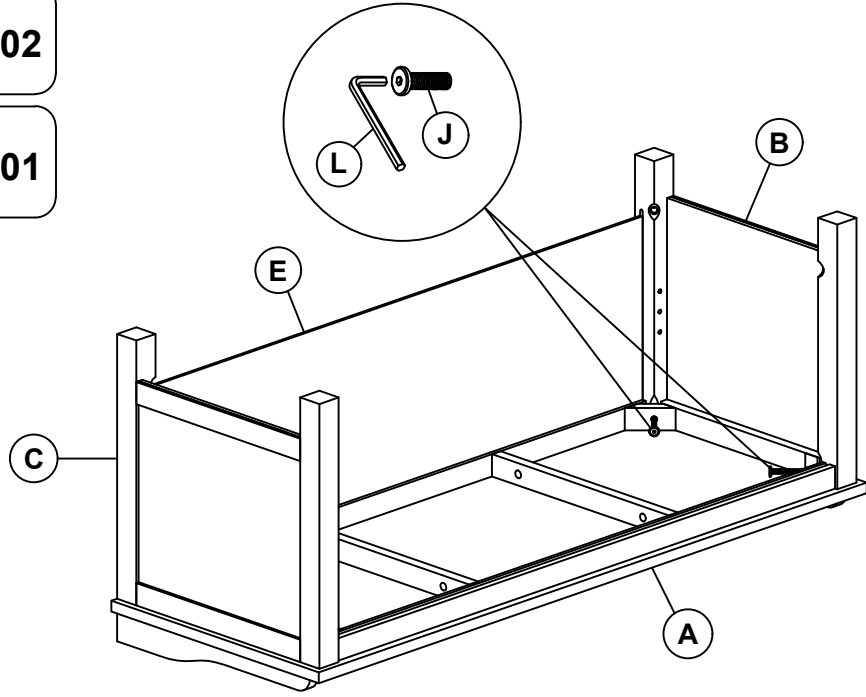
Step 02



Step 03


J  **02**
M6x45MM BOLT

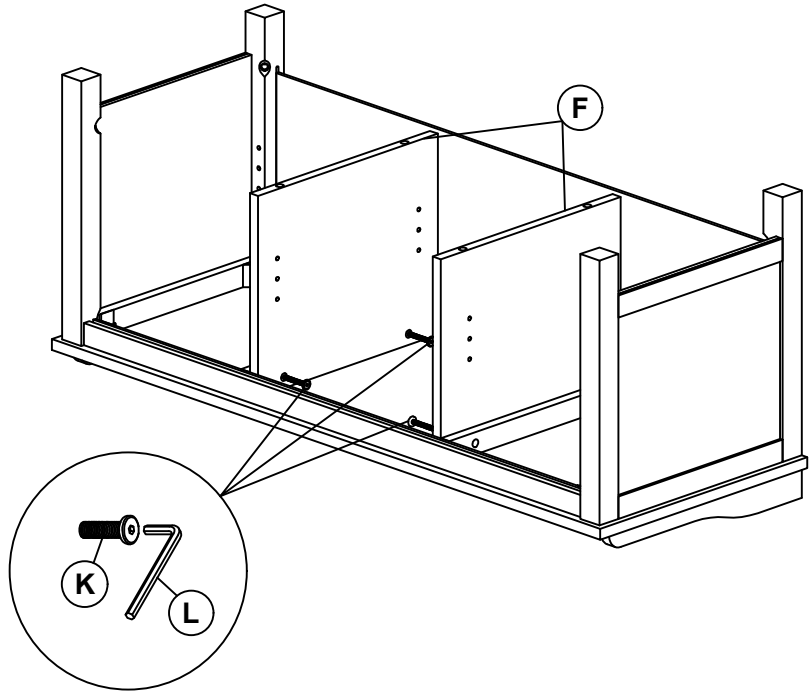
L  **01**



Step 04

K  **04**
M6x35MM BOLT

L  **01**



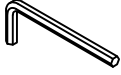
Step 05

J

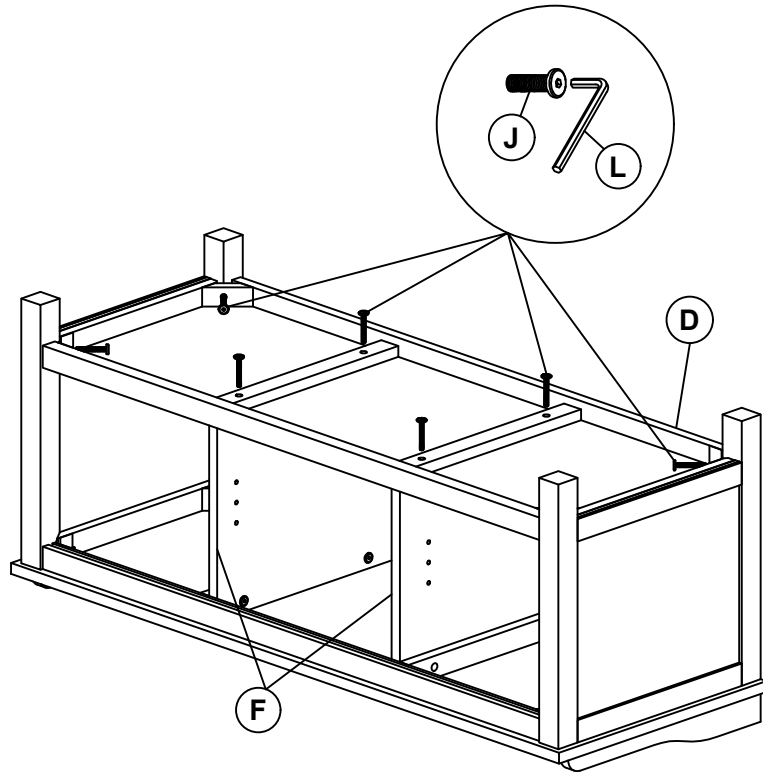
M6x45MM BOLT

08

L



01

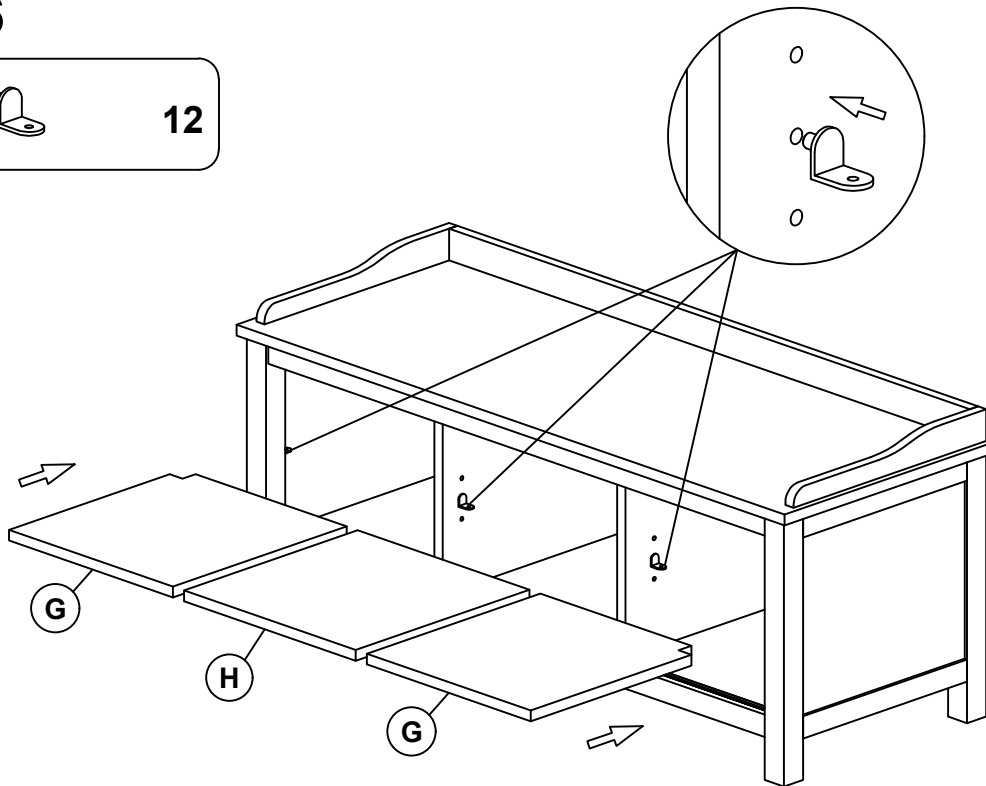


Step 06

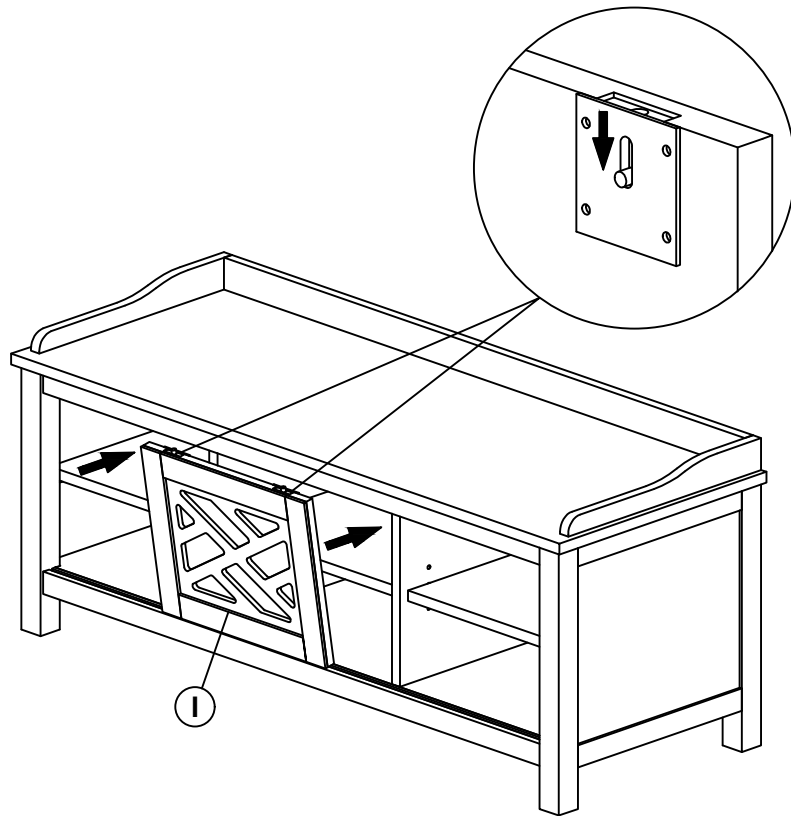
M



12



Step 07



www.boltonfurniture.com